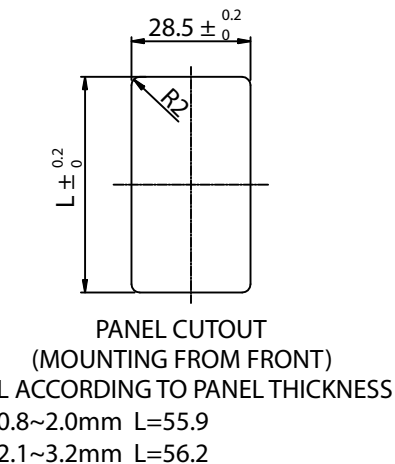
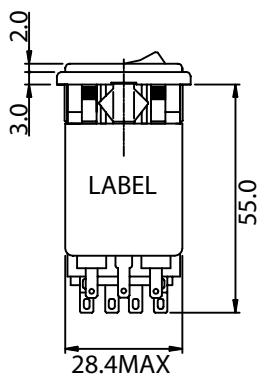
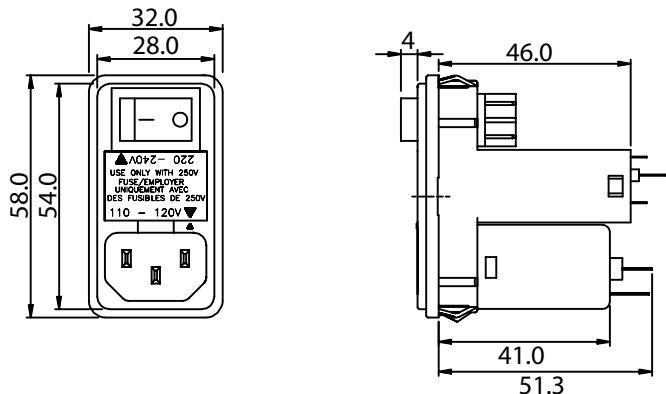
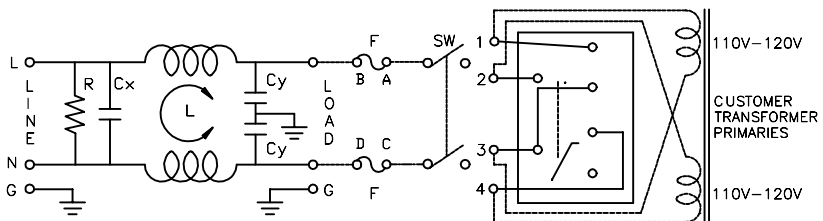


THESE DRAWINGS ARE THE PROPERTY OF QUALTEK ELECTRONICS AND NOT TO BE REPRODUCED FOR OR COMMUNICATED TO A THIRD PARTY WITHOUT THE EXPRESS WRITTEN PERMISSION OF AN OFFICER OF QUALTEK ELECTRONICS.

1. PHYSICAL DIMENSIONS



2. ELECTRICAL SCHEMATIC



L: 0.2mH  
Cx: 0.1uF  
Cy: 2200pF  
R: 1.0MΩ

REVISION			
REV.	DESCRIPTION	DATE	APPROVED
B	RoHS Compliance	06-01-06	DP

ELECTRICAL CHARACTERISTICS:

- 1-1. VOLTAGE RATING.....115/250VAC
- 1-2. CURRENT RATING  
A. @ 115 VAC.....10 A RMS MAX  
B. @ 250 VAC.....10 A RMS MAX
- 1-3. OPERATING FREQUENCY.....50/60Hz
- 1-4. LEAKAGE CURRENT: EACH LINE TO GROUND  
A. @ 115 VAC 60Hz.....0.20 mA MAX  
B. @ 250 VAC 50Hz.....0.40 mA MAX
- 1-5. HIPOT RATING (FOR ONE MINUTE)  
A. LINE TO GROUND.....2250 VDC  
B. LINE TO LINE.....1450 VDC
- 1-6. MINIMUM INSERTION LOSS IN dB: (AT 50 OHM SYSTEM)

FREQ. MHz	.01	.05	.10	.15	.50	1.0	5.0	10	30
COM. MODE dB	/	/	/	3	8	10	20	30	45
DIF. MODE dB	/	/	/	5	12	15	30	30	40

- 1-7. OPERATING TEMPERATURE.....-25° TO +85°
- 1-8. SAFETY:
- 2-0. RoHS COMPLIANT

**CONTROLLED**

Dim range (mm)	Tolerance +/- (mm)	Qualtek Electronics Corp. PPC DIVISION		
		Part Number:	882-10/016	
0-1	0.15	Description: EMI FILTER		
1-6	0.20			
6-18	0.30			
18-50	0.50			
50-120	0.70	UNIT: mm	REV. B	
120-250	0.90	Drawn / Date	Checked / Date	Approved / Date
250-500	1.20	B.ZHANG 02-07-03	02-07-03	JJH / 02-07-03